

3CORE reader TCE7300



3CORE

3core technologies Co., Ltd.

NO.20-138.Tianshanzhi Road.
Changning District. Shanghai. PR China
021-62533841

Copyright © 2025 3core technologies Co., Ltd.
3core logo are registered trademarks of 3core technologies Co., Ltd.

- (US)** • Model: TCE7300
- Reader output: Wiegand 26, Wiegand 32, Wiegand 34
- (GB)** • Power requirement: 12V DC
- Normal current consumption: 30mA
- Activated current consumption: 50mA
- Read range: 20-60mm (0.8" - 2.4") (typically)
- Operating temperature: -15°C to + 55°C (5°F to 131°F)
- Relative humidity: 90% max, operating non-condensing
- Size: 81×46.5×20mm HxWxD
- IP Rating: IP 67

Component	Amount
3CORE reader	1
Installation Manual	1
4mm×40mm machine screw	2
3.5mm×40mm self-tapping machine screw	2

Definition	Line color
Wiegand1	White
BEEP	Blue
Wiegand0	Green
LED	Gray
+12V	Red
GND	Black
485A	Yellow
485B	Orange

*Installation extension module supports import and output of RS232, RS485, USB and UART.

Optional extended function:

- Expansion module
26010EXB supports the function of Wiegand/UART conversion to RS232, RS485 and RS422
26010EXB supports the function of Wiegand/UART conversion to USB
- Configuration card
Configuration card may be used to change the card setting, including Wiegand output (default as Wiegand32) and keyboard output (limited to reader with keyboard mode). The reader, after power-on self-test, accepts setting operation of configuration card. When the power-on reader reads the first non-configuration card, it stops accepting configuration operation of the card. In this case, it is necessary to make reconfiguration of reader, meaning to power down and reader and power on again.

- (CN)** • 型号: TCE7300
- 输出格式: 韦根26, 韦根32, 韦根34
- 输入电压: 12V 直流
- 待机工作电流: 30mA
- 任务工作电流: 50mA
- 读卡距离: 20-60mm (0.8" - 2.4")
- 使用环境温度界限: -15°C 至 55°C (5°F 至 131°F)
- 使用环境湿度界限: <90% max,
- 尺寸: 81×46.5×20mm HxWxD
- 防护等级: IP67

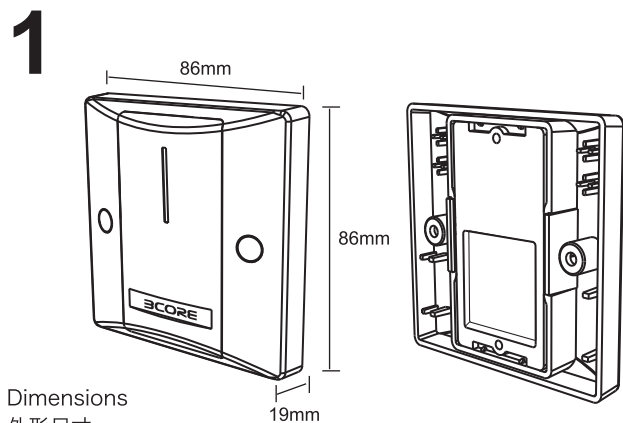
部件	数量
3CORE 读卡器	1
安装手册	1
4mm×40mm 机制螺丝	2
3.5mm×40mm 自攻机制螺丝	2

定义	线色
韦根1	白色
BEEP	蓝色
韦根0	绿色
LED	灰色
+12V	红色
GND	黑色
485A	黄色
485B	橙色

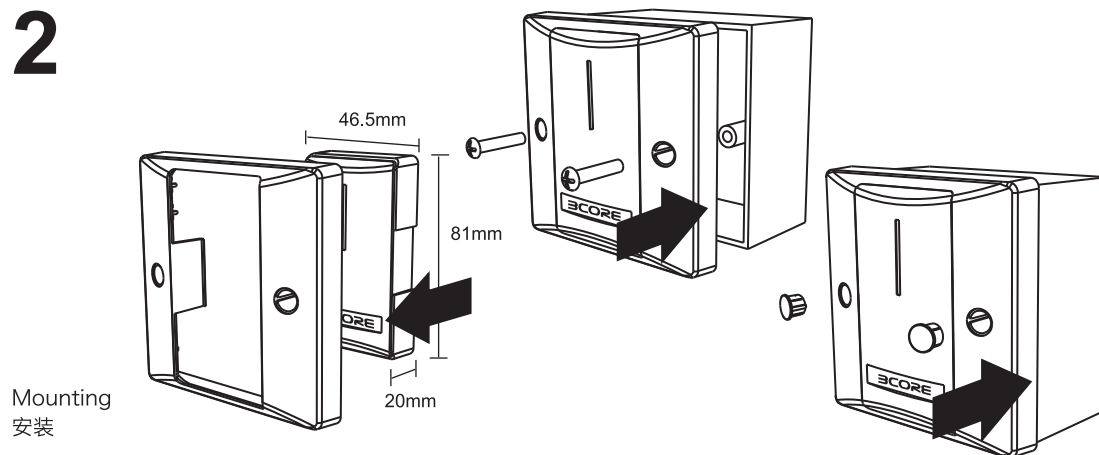
*安装扩展模块可以支持RS232, RS485, USB, UART的输入和输出。

可选扩展功能:

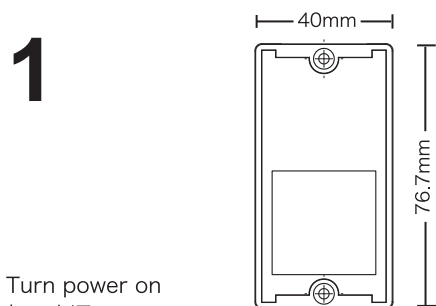
- 扩展模块
26010EXB支持Wiegand/UART到RS232, RS485, RS422的转换功能。
26011EXB支持Wiegand/UART到USB的转换功能
- 配置卡
可以使用配置卡来改变读卡器的设置, 包括Wiegand输出 (缺省为Wiegand32) 和键盘输出 (只限于带键盘模式的读卡器)。读卡器上电自检之后, 接受配置卡的配置操作。当读卡器读到第一张非配置卡时, 将停止接受配置卡的配置操作。如果, 需要对读卡器重新配置, 需要对读卡器下电后重新上电。



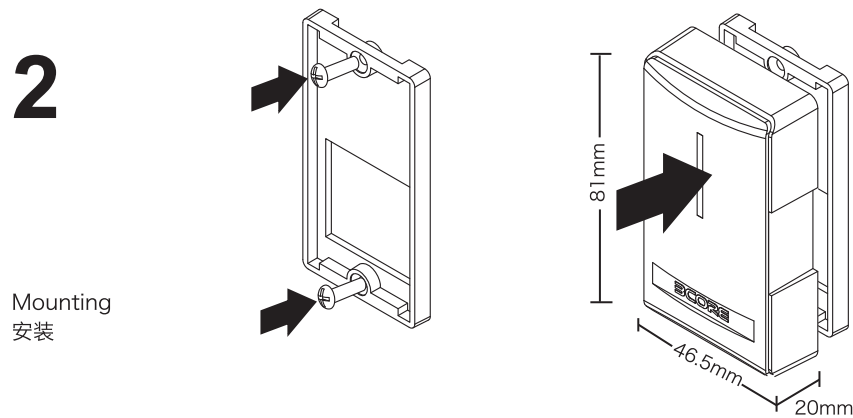
Dimensions
外形尺寸



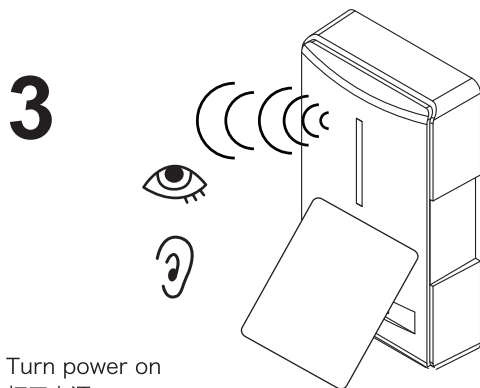
Mounting
安装



Turn power on
打开电源
Dimensions
外形尺寸



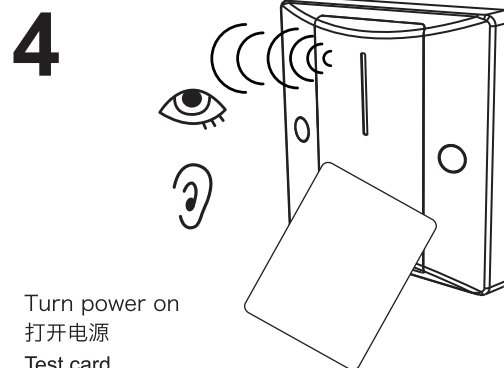
Mounting
安装



Turn power on
打开电源
Test card
测试卡

US When powered on, LED glitters stably.
GB The buzzer gives 3 continuous short ringing, proving the reader is in normal working condition.

CN 接通电源后, LED 稳定发光。蜂鸣器连续发出 3 声短鸣。表示读卡器工作正常。



Turn power on
打开电源
Test card
测试卡