

3CORE reader TCE7180/7280



3CORE

3core technologies Co., Ltd.

NO.7-175, Wanhuanqu Road,
Jingan District, Shanghai, PR China
021-62533841 021-62533302(Fax)

Copyright © 2021 3core technologies Co., Ltd.
3core logo are registered trademarks of 3core technologies Co., Ltd.

- US**
- Model: TCE7180/7280
 - Reader output: Wiegand 26, Wiegand 32, Wiegand 34
 - Power requirement: 12V DC
 - Normal current consumption: 60mA
 - Activated current consumption: 90mA
 - Read range: 0-60mm (0" - 2.4") (typically)
 - Operating temperature: -15°C to +55°C (5°F to 131°F)
 - Relative humidity: 90% max, operating non-condensing
 - Size: 100×86×11mm HxWxD (Installed)
 - IP Rating: IP 55

Component	Amount
3CORE reader	1
Installation Manual	1
4mm×40mm machine screw	2
3.5mm×40mm self-tapping machine screw	4

Definition	Line color
485A	Yellow
485B	Orange
Wiegand1	White
BEEP	Blue
Wiegand0	Green
LED	Gray
+12V	Red
GND	Black

Optional extended function

- Expansion module
26010EXB supports the function of Wiegand conversion to RS485 for Extend transmission distance
26011EXB supports the function of Wiegand conversion to RS232 or USB
26101EXB supports the function of Bluetooth
26111EXB supports the function of QR code scanning
- Configuration card
Configuration card may be used to change the card setting, including Wiegand output (default as Wiegand32) and keyboard output (limited to reader with keyboard mode). The reader, after power-on self-test, accepts setting operation of configuration card. When the power-on reader reads the first non-configuration card, it stops accepting configuration operation of the card. In this case, it is necessary to make reconfiguration of reader, meaning to power down and reader and power on again.

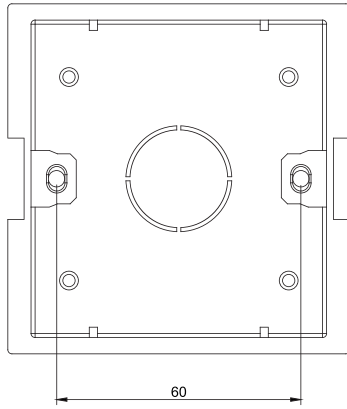
- CN**
- 型号: TCE7180/7280
 - 输出格式: 韦根26, 韦根32, 韦根34
 - 输入电压: 12V 直流
 - 待机工作电流: 60mA
 - 任务工作电流: 90mA
 - 读卡距离: 0-60mm (0" - 2.4")
 - 使用环境温度界限: -15°C 至 55°C (5°F 至 131°F)
 - 使用环境湿度界限: <90% max, 相对湿度, 无冷凝水
 - 尺寸: 100×86×11mm HxWxD (安装后)
 - 防护等级: IP55

部件	数量
3CORE 读卡器	1
安装手册	1
4mm×40mm机制螺丝	2
3.5mm×40mm自攻机制螺丝	4

定义	线色
485A	黄色
485B	橙色
韦根1	白色
BEEP	蓝色
韦根0	绿色
LED	灰色
+12V	红色
GND	黑色

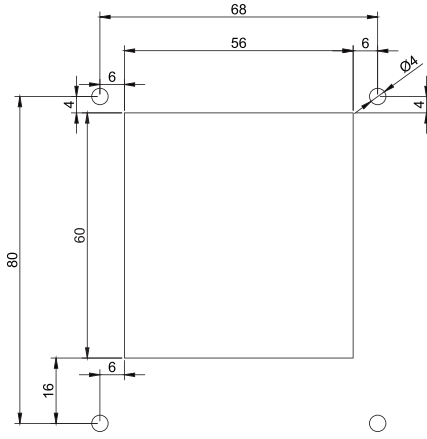
可选扩展功能

- 扩展模块
26010EXB支持Wiegand到RS485的转换功能,用于延长传输距离
26011EXB支持Wiegand到RS232和USB的转换功能
26101EXB支持蓝牙开门功能
26111EXB支持二维码识别开门功能
- 配置卡
可以使用配置卡来改变读卡器的设置,包括Wiegand输出(缺省为Wiegand32)和键盘输出(只限于带键盘模式的读卡器)。读卡器上电自检之后,接受配置卡的配置操作。当读卡器读到第一张非配置卡时,将停止接受配置卡的配置操作。如果,需要对读卡器重新配置,需要对读卡器下电后重新上电。



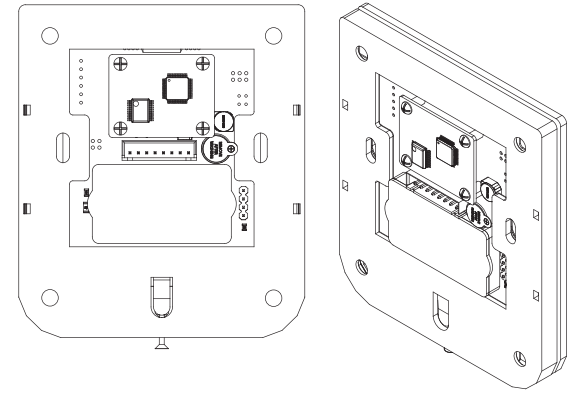
1

接线盒安装尺寸图



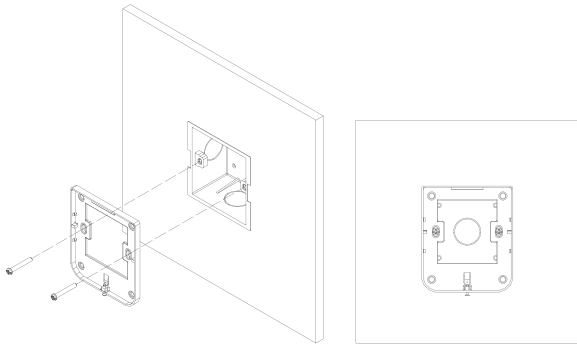
2

非标准安装尺寸图



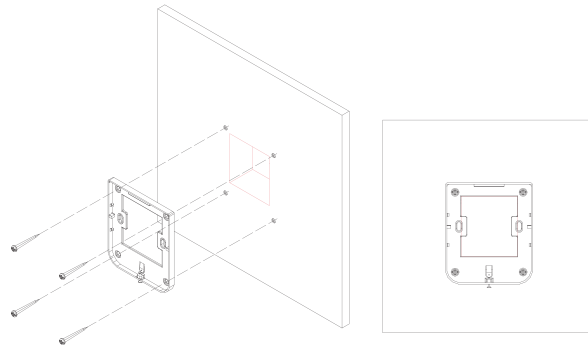
3

TCE7180/7280
背面示意图



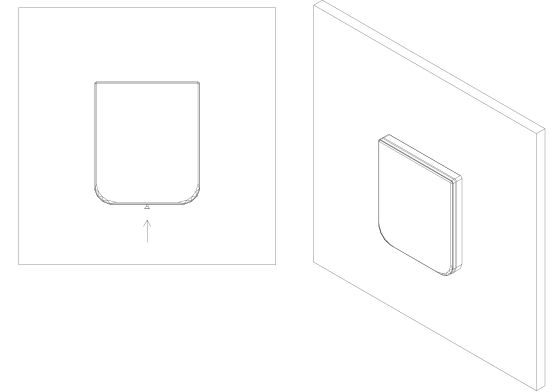
4

TCE7180/7280
底盖安装示意图



5

TCE7180/7280
底盖非标准安装示意图



6

TCE7180/7280
面板安装示意图