

# 3CORE reader TCE7110/7210



## 3CORE

3core technologies Co., Ltd.

NO.20-138.Tianshanzhi Road.  
Changning District. Shanghai. PR China  
021-62533841

Copyright © 2026 3core technologies Co., Ltd.  
3core logo are registered trademarks of 3core technologies Co., Ltd.

- US**
- Model: TCE7110/7210
  - Reader output: Wiegand 26, Wiegand 32, Wiegand 34
- GB**
- Power requirement: 12-24VDC
  - Normal current consumption: 60mA/12V
  - Activated current consumption: 90mA/12V
  - Read range: 0-60mm
  - Operating temperature: -25°C to +70°C
  - Relative humidity: 5%<90%max, operating non-condensing
  - Size: 121.5×84×24mm HxWxD
  - IP Rating: IP65

Component	Amount
3CORE reader	1
Installation Manual	1
4mm × 40mm machine screw	2
3.5mm × 40mm self-tapping machine screw	2

Definition	Line color
TEMP	Purple
Red LED	Brown
485A	Yellow
485B	Orange
Wiegand1	White
Beep	Blue
Wiegand0	Green
Green LED	Gray
+VDC	Red
GND	Black

### Optional extended function:

Configuration card

Configuration card may be used to change the card setting, including Wiegand output (default as Wiegand32) and keyboard output (limited to reader with keyboard mode). The reader, after power-on self-test, accepts setting operation of configuration card. When the power-on reader reads the first non-configuration card, it stops accepting configuration operation of the card. In this case, it is necessary to make reconfiguration of reader, meaning to power down and reader and power on again.

- CN**
- 型号: TCE7110/7210
  - 输出格式: 韦根26, 韦根32, 韦根34
  - 输入电压: 12-24V 直流
  - 待机工作电流: 60mA/12V
  - 任务工作电流: 90mA/12V
  - 读卡距离: 0-60mm
  - 使用环境温度界限: -25°C 至 70°C
  - 使用环境湿度界限: 5% < 90% 相对湿度 (无冷凝)
  - 尺寸: 121.5×84×24mm 高\*宽\*深
  - 防护等级: IP65

部件	数量
3CORE 读卡器	1
安装手册	1
4mm × 40mm 机制螺丝	2
3.5mm × 40mm 自攻机制螺丝	2

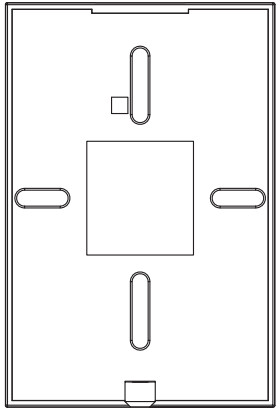
定义	线色
防拆	紫色
红LED	棕色
485A	黄色
485B	橙色
韦根1	白色
Beep	蓝色
韦根0	绿色
绿LED	灰色
+VDC	红色
地线	黑色

### 可选扩展功能:

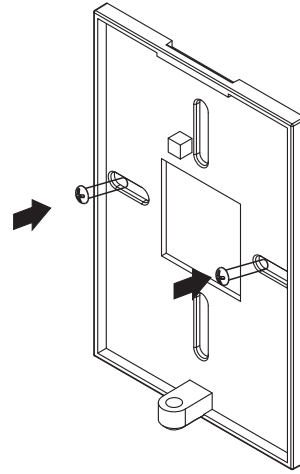
配置卡

可以使用配置卡来改变读卡器的设置, 包括Wiegand输出 (缺省为Wiegand32) 和键盘输出 (只限于带键盘模式的读卡器)。读卡器上电自检之后, 接受配置卡的配置操作。当读卡器读到第一张非配置卡时, 将停止接受配置卡的配置操作。如果, 需要对读卡器重新配置, 需要对读卡器下电后重新上电。

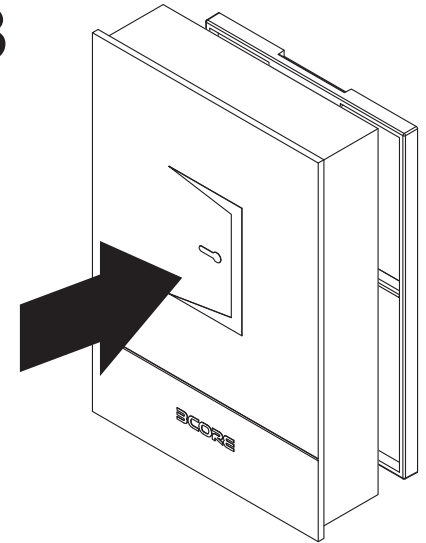
**1**



**2**

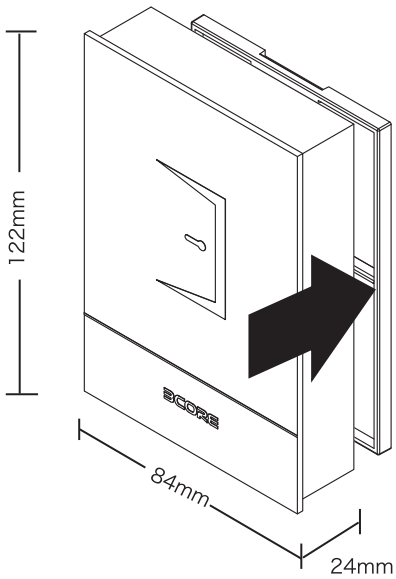


**3**

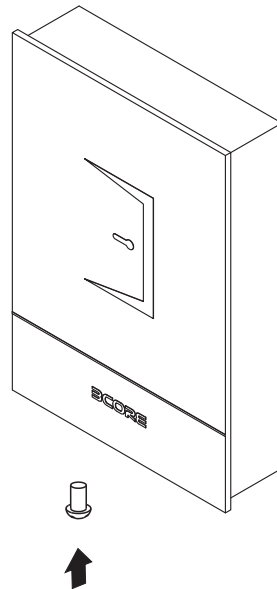


**TCE7110**

**4**

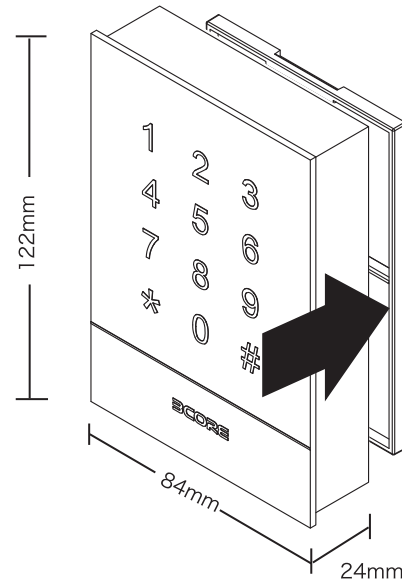


**5**



**TCE7210**

**4**



**5**

