

3CORE reader 读卡器 TCE7100/7200



3CORE

3core technologies Co., Ltd.

NO.20-138.Tianshanzhi Road.
Changning District. Shanghai. PR China
021-62533841

Copyright © 2026 3core technologies Co., Ltd.
3core logo are registered trademarks of 3core technologies Co., Ltd.

US

- Model: TCE7100/TCE7200
- Reader output: Wiegand 26, Wiegand 32, Wiegand 34
- Power requirement: 12-24V DC
- Normal current consumption: 60mA / 12V
- Activated current consumption: 95mA / 12V
- Read range: 20-60mm
- Operating temperature: -25°C to +70°C
- Relative humidity: 90% max, operating non-condensing
- Size: 122×86×22mm HxWxD
- IP Rating: IP65

GB

- Model: TCE7100/TCE7200
- Reader output: Wiegand 26, Wiegand 32, Wiegand 34
- Power requirement: 12-24V DC
- Normal current consumption: 60mA / 12V
- Activated current consumption: 95mA / 12V
- Read range: 20-60mm
- Operating temperature: -25°C to +70°C
- Relative humidity: 90% max, operating non-condensing
- Size: 122×86×22mm HxWxD
- IP Rating: IP65

| Component | Amount |
|-----------------------------------------|--------|
| TCE7100/7200 reader | 1 |
| Installation Manual download QR Code | 1 |
| 4mm × 40mm machine screw | 2 |
| 3.5mm × 40mm self-tapping machine screw | 2 |

| Definition | Line color |
|------------|------------|
| TEMP | Purple |
| Red LED | Brown |
| 485A | Yellow |
| 485B | Orange |
| Wiegand1 | White |
| Beep | Blue |
| Wiegand0 | Green |
| Green LED | Gray |
| +VDC | Red |
| GND | Black |

Optional extended function:

Configuration card

Configuration card may be used to change the card setting, including Wiegand output (default as Wiegand32) and keyboard output (limited to reader with keyboard mode). The reader, after power-on self-test, accepts setting operation of configuration card. When the power-on reader reads the first non-configuration card, it stops accepting configuration operation of the card. In this case, it is necessary to make reconfiguration of reader, meaning to power down and reader and power on again.

CN

- 型号: TCE7100/TCE7200
- 输出格式: 韦根26, 韦根32, 韦根34
- 输入电压: 12-24V 直流
- 待机工作电流: 60mA / 12V
- 任务工作电流: 95mA / 12V
- 读卡距离: 20-60mm
- 使用环境温度界限: -25°C 至 70°C
- 使用环境湿度界限: <90% max,
- 尺寸: 122×86×22mm HxWxD
- 防护等级: IP65

| 部件 | 数量 |
|---------------------|----|
| TCE7100/7200 读卡器 | 1 |
| 安装手册下载二维码 | 1 |
| 4mm × 40mm 机制螺丝 | 2 |
| 3.5mm × 40mm 自攻机制螺丝 | 2 |

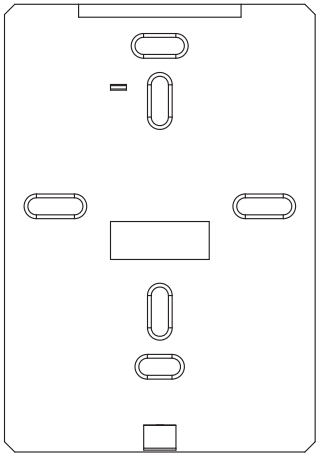
| 定义 | 线色 |
|------|----|
| 防拆 | 紫色 |
| 红LED | 棕色 |
| 485A | 黄色 |
| 485B | 橙色 |
| 韦根1 | 白色 |
| Beep | 蓝色 |
| 韦根0 | 绿色 |
| 绿LED | 灰色 |
| +VDC | 红色 |
| 地线 | 黑色 |

可选扩展功能:

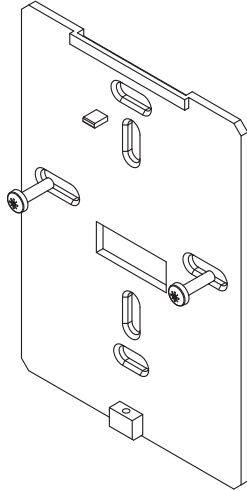
配置卡

可以使用配置卡来改变读卡器的设置, 包括Wiegand输出 (缺省为Wiegand32) 和键盘输出 (只限于带键盘模式的读卡器)。读卡器上电自检之后, 接受配置卡的配置操作。当读卡器读到第一张非配置卡时, 将停止接受配置卡的配置操作。如果, 需要对读卡器重新配置, 需要对读卡器下电后重新上电。

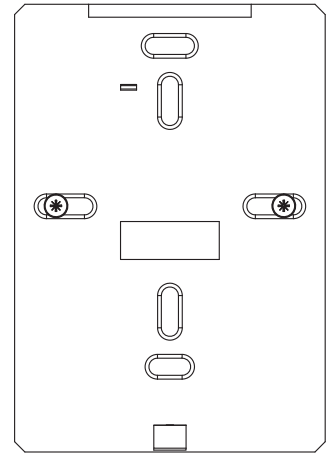
1



2

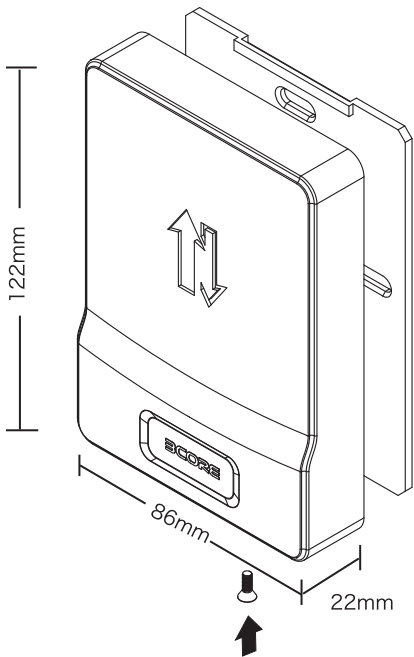


3

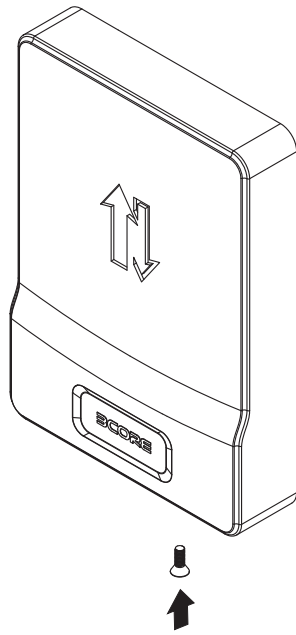


TCE7100

4

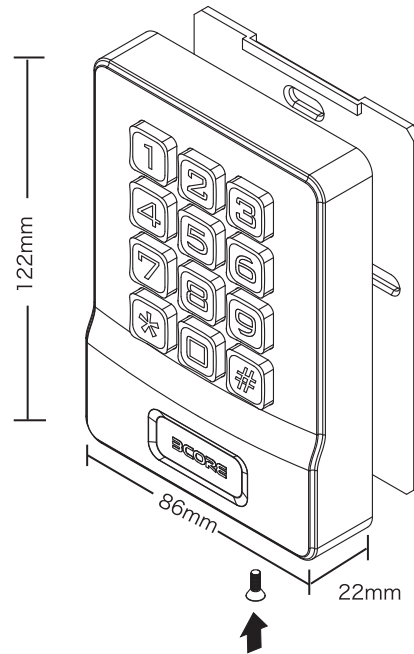


5



TCE7200

4



5

